



\$485
Model Shown

PX63Q Series
mV/V Output
0-500 to 0-5,000 psi
0-35 to 0-350 bar

1 bar = 14.5 psi
1 kg/cm² = 14.22 psi
1 Atmosphere = 14.7 psi = 29.93 in-Hg = 760.2 mm-Hg = 1.014 bar

- ☑ Miniature Flush Diaphragm
- ☑ Hermetically Sealed in a Rugged Stainless Steel Case
- ☑ Available in PSIA, PSIS, PSIG, and Metric Ranges

SPECIFICATIONS:

Electrical:

Excitation: 10 V ac/dc

Output: 3 mV/V FSO

Accuracy Class: 0.5% Linearity, Hysteresis & Repeatability Combined

Zero Balance: ±1.0% of FSO

Bridge Resistance: 350 ohms

Environmental:

Operating Temperature Range:

-73 to +163°C (-100 to +325°F)

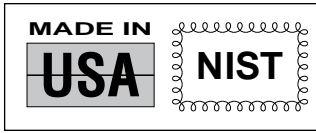
Compensated Temperature Range:

-54 to +121°C (-65 to +250°F)

Thermal Effects:

Zero: ±0.01% of FSO/°F

Span: ±0.02% Reading/°F



Interchangeable with
Model TH-FD3

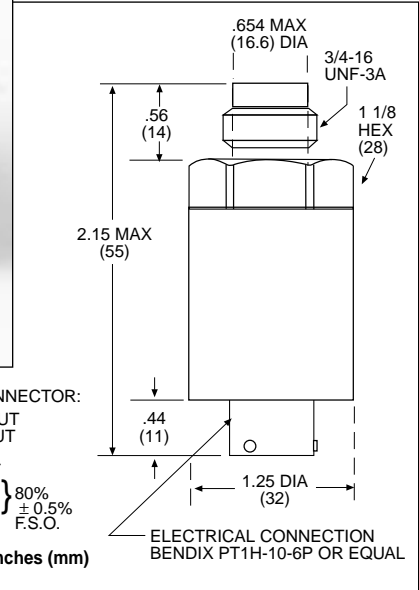
SPEC SHEET
PX63Q

MINIATURE HIGH TEMPERATURE TRANSDUCER

3/4-16 UNF Pressure Connection



Model
PX63Q1-500GV \$485
Shown Actual Size



ELECTRICAL CONNECTOR:

- PIN A +OUTPUT
- PIN B -OUTPUT
- PIN C -INPUT
- PIN D +INPUT
- PIN E SHUNT } 80%
- PIN F SHUNT } ±0.5% F.S.O.

Dimensions Shown in Inches (mm)

Pressure:

Proof Pressure: 150% of Capacity

Burst Pressure Minimum:

300% of Capacity

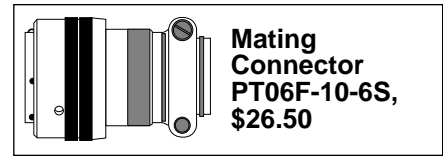
Mechanical:

Electrical Connections: PT1H-10-6P

Mating Connector: PT06F-10-6S (not included)

Pressure Connection: 3/4-16 UNF-3A

Wetted Parts: 17-4 PH Stainless Steel



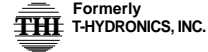
For Sales and Service
In U.S.A. and Canada

1-800-872-3963
1-800-USA-DYNE

International Customers Dial
(614) 965-9340
24-Hour FAX (614) 965-9438

OMEGADYNESM FAX
OMEGADYNE's 24-Hour
On-Line Publishing Service
1-800-344-3963
1-800-DIG-DYNE
Document # 3693

OMEGADYNE, Inc.
149 Stelzer Court, Sunbury, OH 43074
<http://www.omegadyne.com>
e-mail: info@omegadyne.com



© COPYRIGHT 1996 OMEGADYNE, INC. ALL RIGHTS RESERVED.

► **Most Popular Models Highlighted** ◀

Prices Shown in U.S. Dollars

To Order: (Specify Model Number)			
Range (psig)	Model Number	Price	Compatible Meters
0-500	PX63Q1-500GV	\$485	INFS, INFCS
0-750	PX63Q1-750GV	485	INFS, INFCS
0-1,000	PX63Q1-1KGV	485	INFS, INFCS
0-2,000	PX63Q1-2KGV	485	INFS, INFCS
0-2,500	PX63Q1-2.5KGV	485	INFS, INFCS
0-3,000	PX63Q1-3KGV	485	INFS, INFCS
0-3,500	PX63Q1-3.5KGV	485	INFS, INFCS
0-5,000	PX63Q1-5KGV	485	INFS, INFCS

Interchangeable with Model TH-FD3

Metric Ranges Available - Consult Engineering

All Ranges Available in Gage, Sealed Gage or Absolute Pressure; no extra charge.

To order Absolute Pressure models, change the "G" in the part number to an "A".

To order Sealed Gage Pressure models, change the "G" in the part number to an "S".

Ordering Examples: 1.) **PX63Q1-500AV** is a 500 psi Absolute Pressure transducer with a PT1H-10-6P electrical connection and a 3/4-16 UNF male pressure port, **\$485**. Mating Connector (not included), **PT06F-10-6S, \$26.50**.

2.) **PX63Q1-2KSV** is a 2,000 psi Sealed Gage Pressure transducer with a PT1H-10-6P electrical connection and a 3/4-16 UNF male pressure port, **\$485**. Mating Connector (not included), **PT06F-10-6S, \$26.50**.

Printed On Recycled Paper

